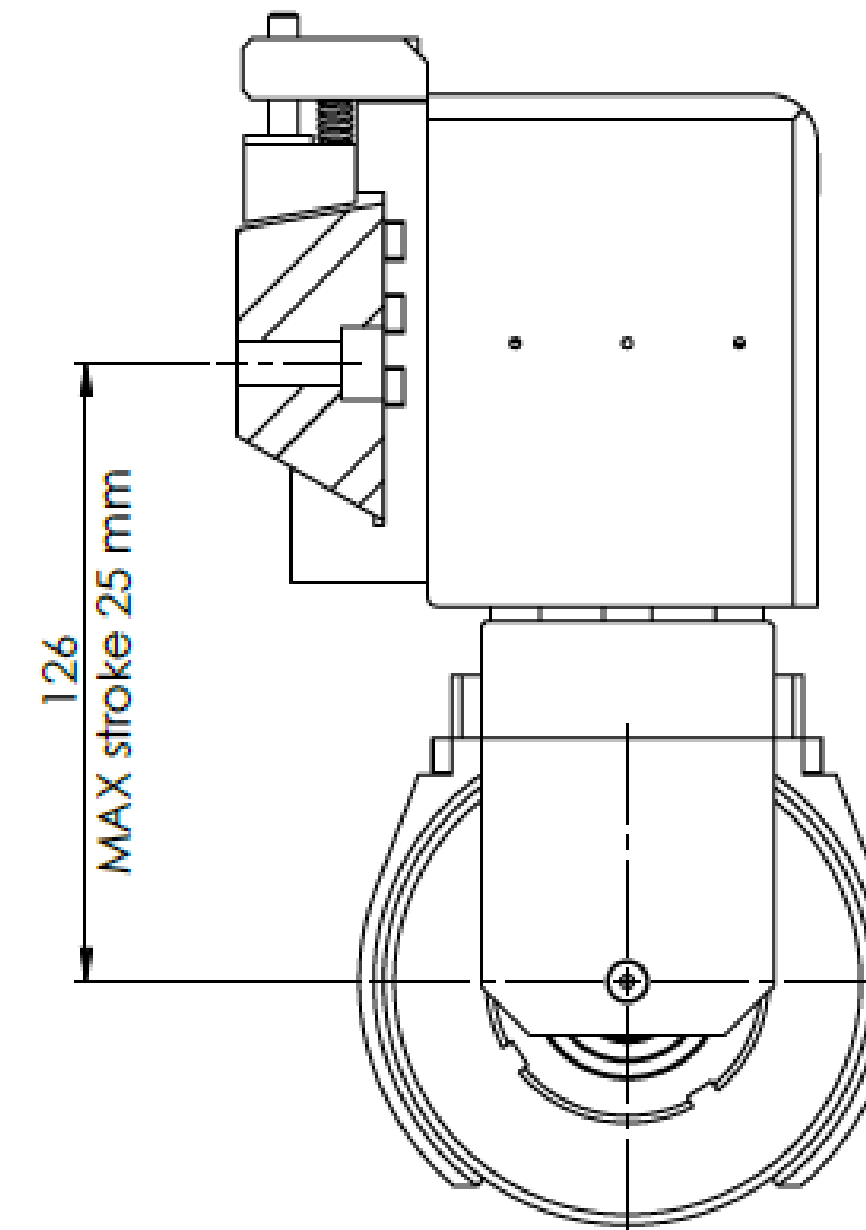
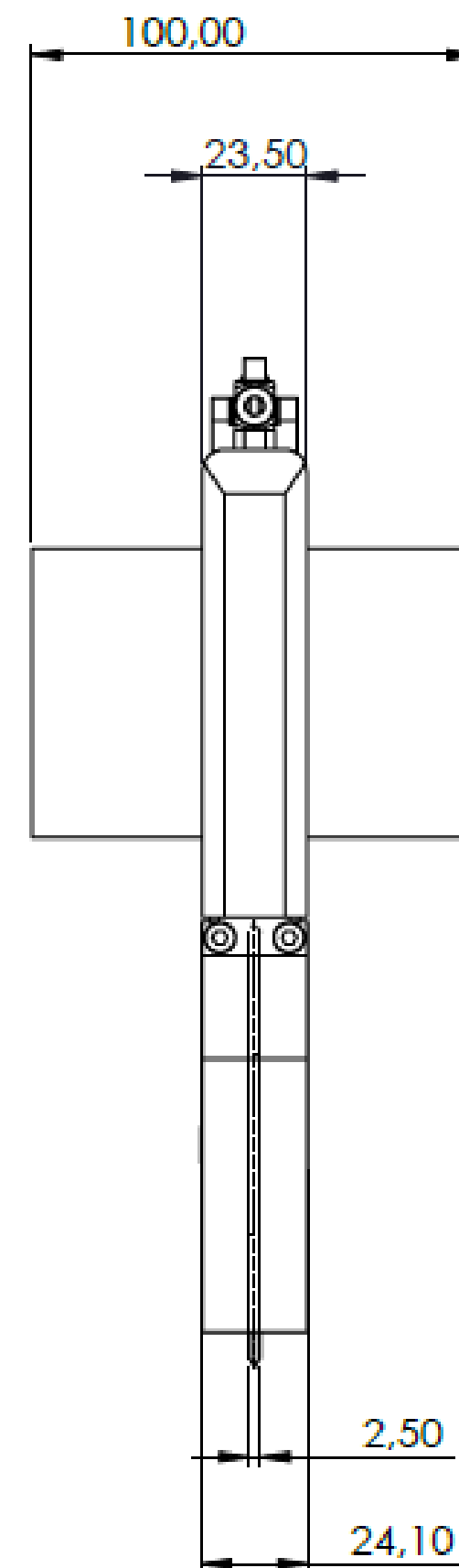
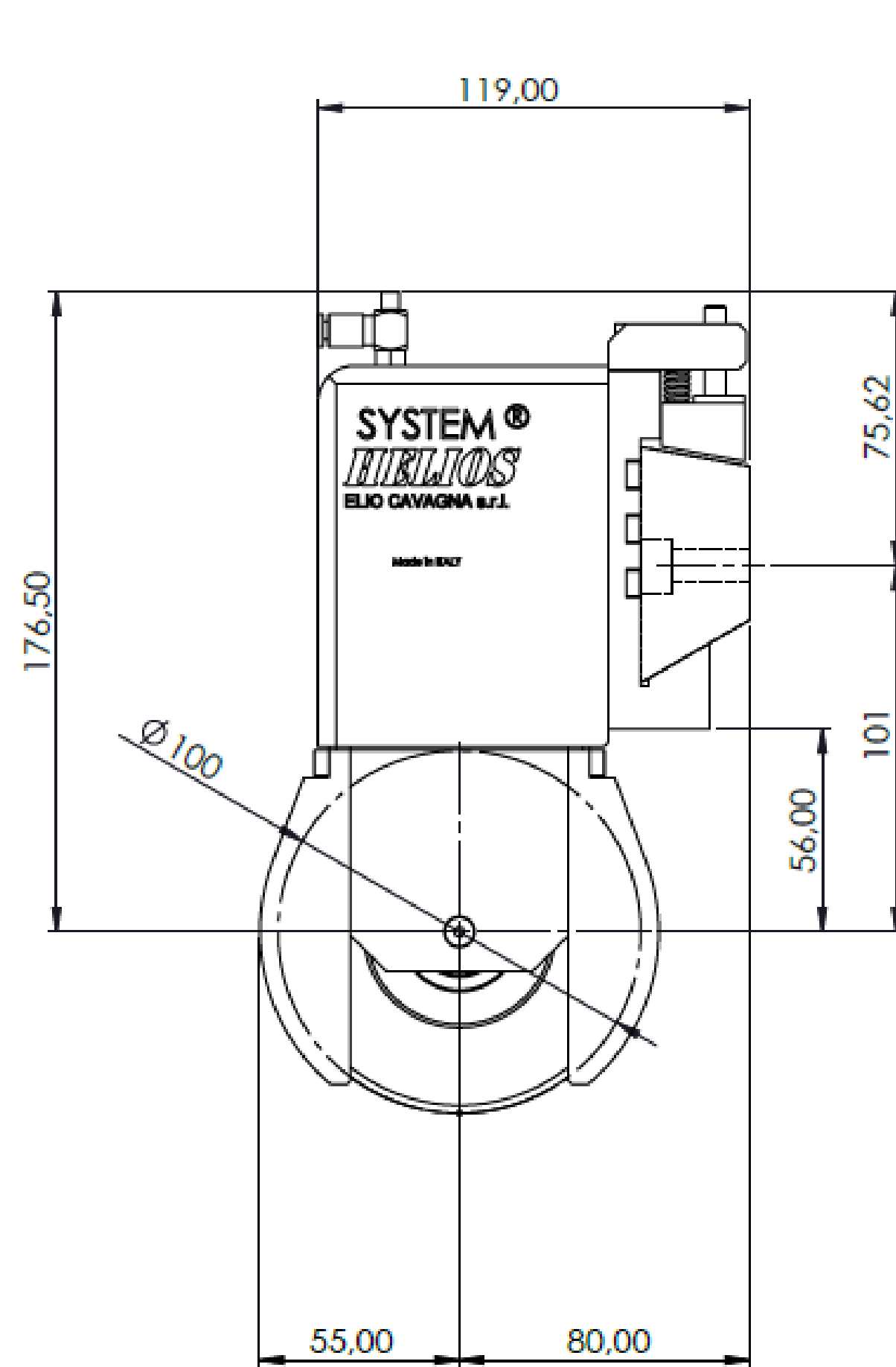




EK 1.25.CS Pneumatic score cut knifeholders



Model : EK 1.25.CS

Max speed	400 m/min***
Min. slit	25 mm
Blade stroke, max	25 mm
Vertical force	45 kg
Guide bar	4.318.E
Nonwoven	Up to 300 gr/m ²

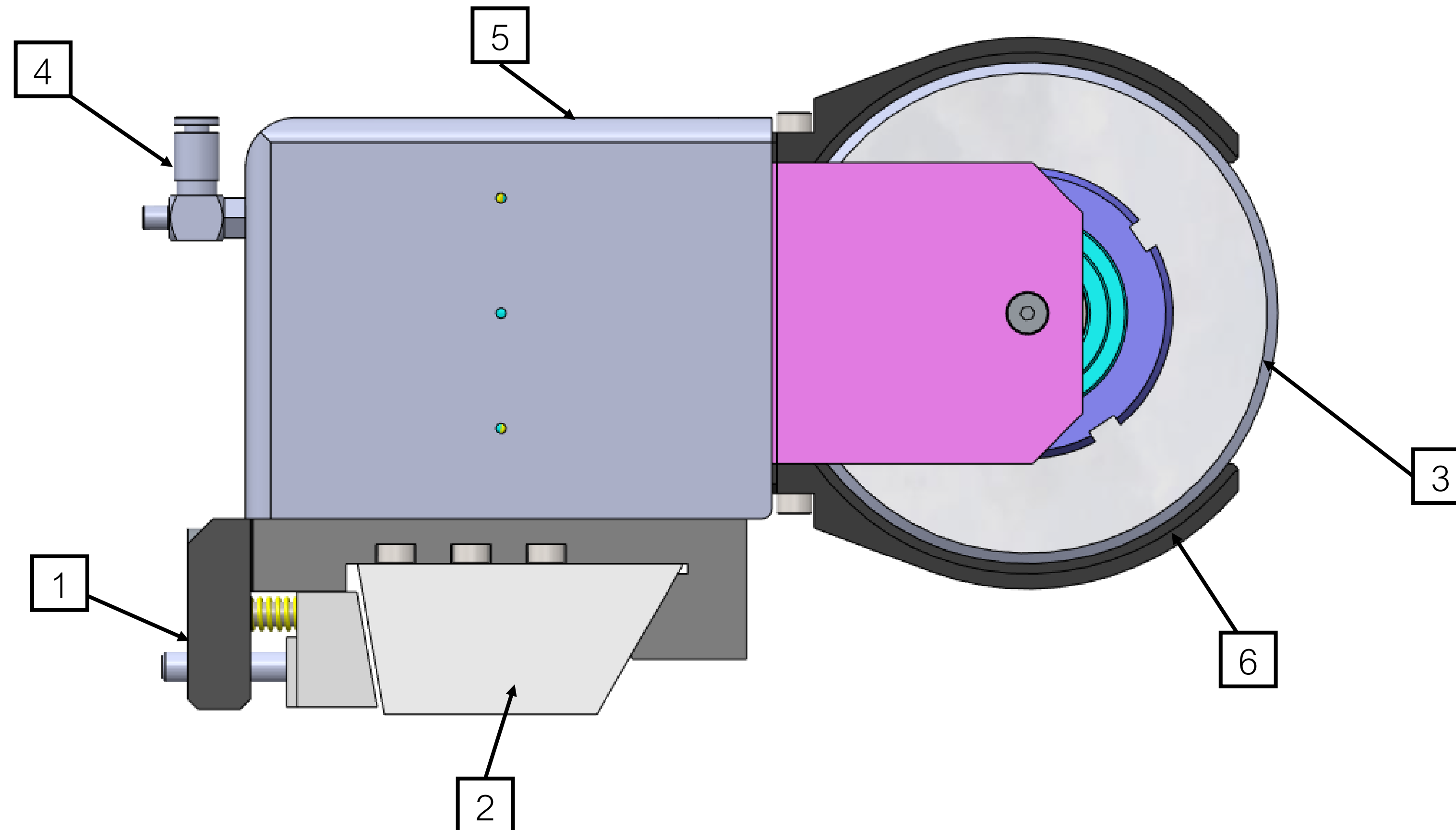
Not suggested for paper and film/plastic

For any information specific to your application please contact us

*** depends on cylinder diameter



EK 1.25.CS Pneumatic score cut knifeholders



MAIN FEATURES

1. Clamp locking system
2. Trapezoidal guide
3. Knifeholder blade (Ø100)
4. Pneumatic alimentation
5. Body with double piston for blade descent
6. Blade protection