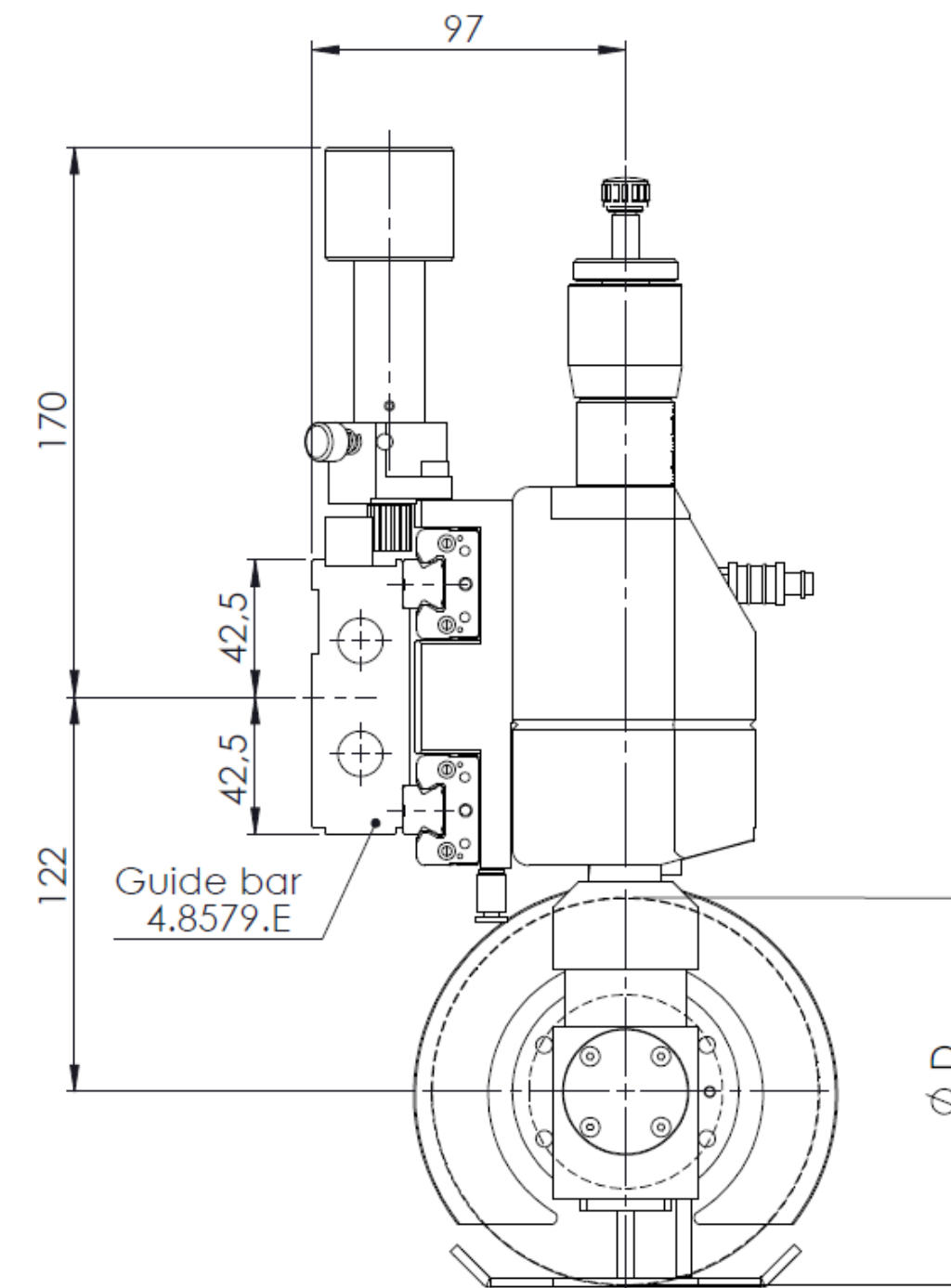
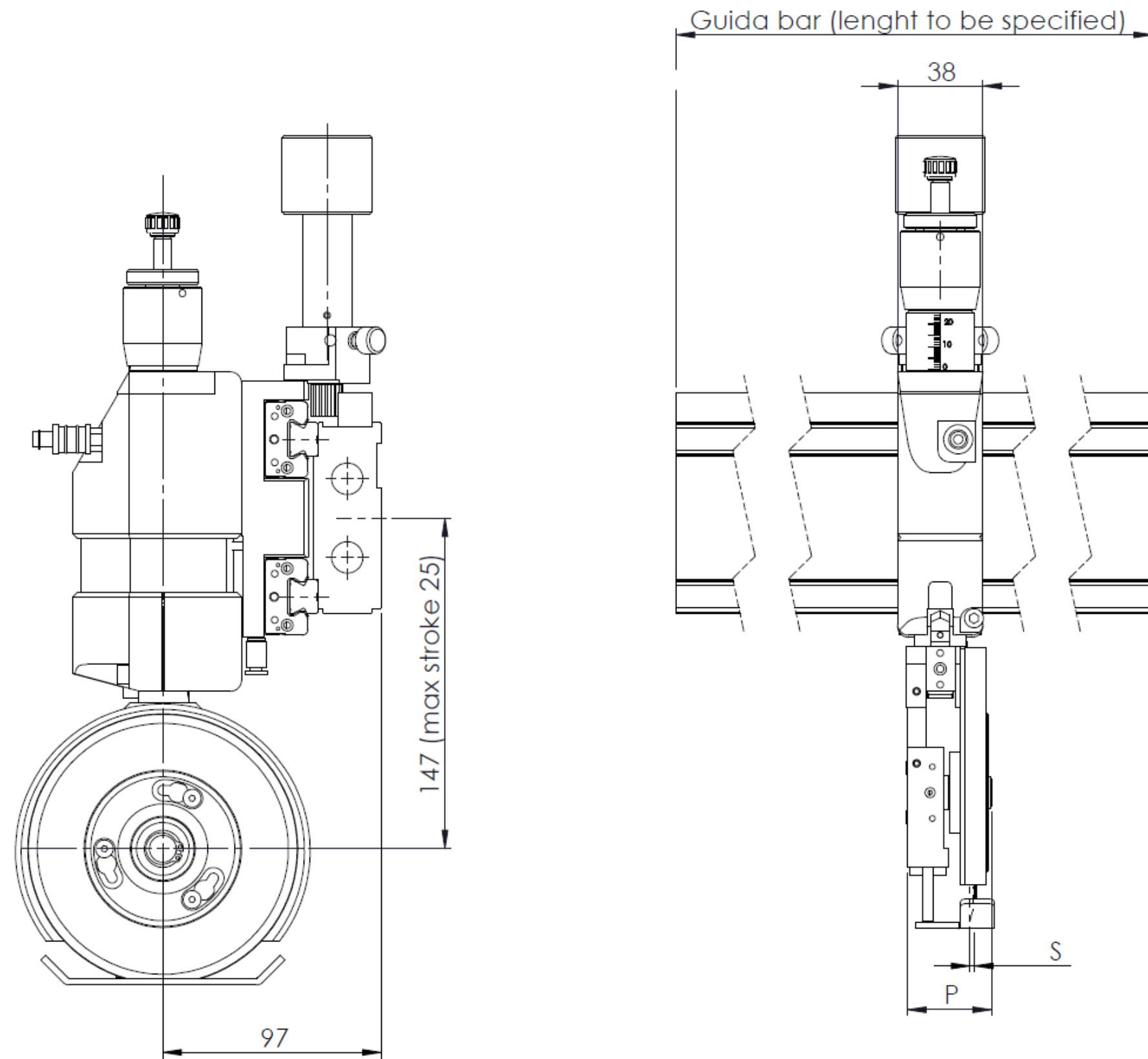




# J2-40C pneumatic knifeholders

For paper, film, plastic, textile, laminates, fibreglass, nonwoven, rubber, aluminum, etc....

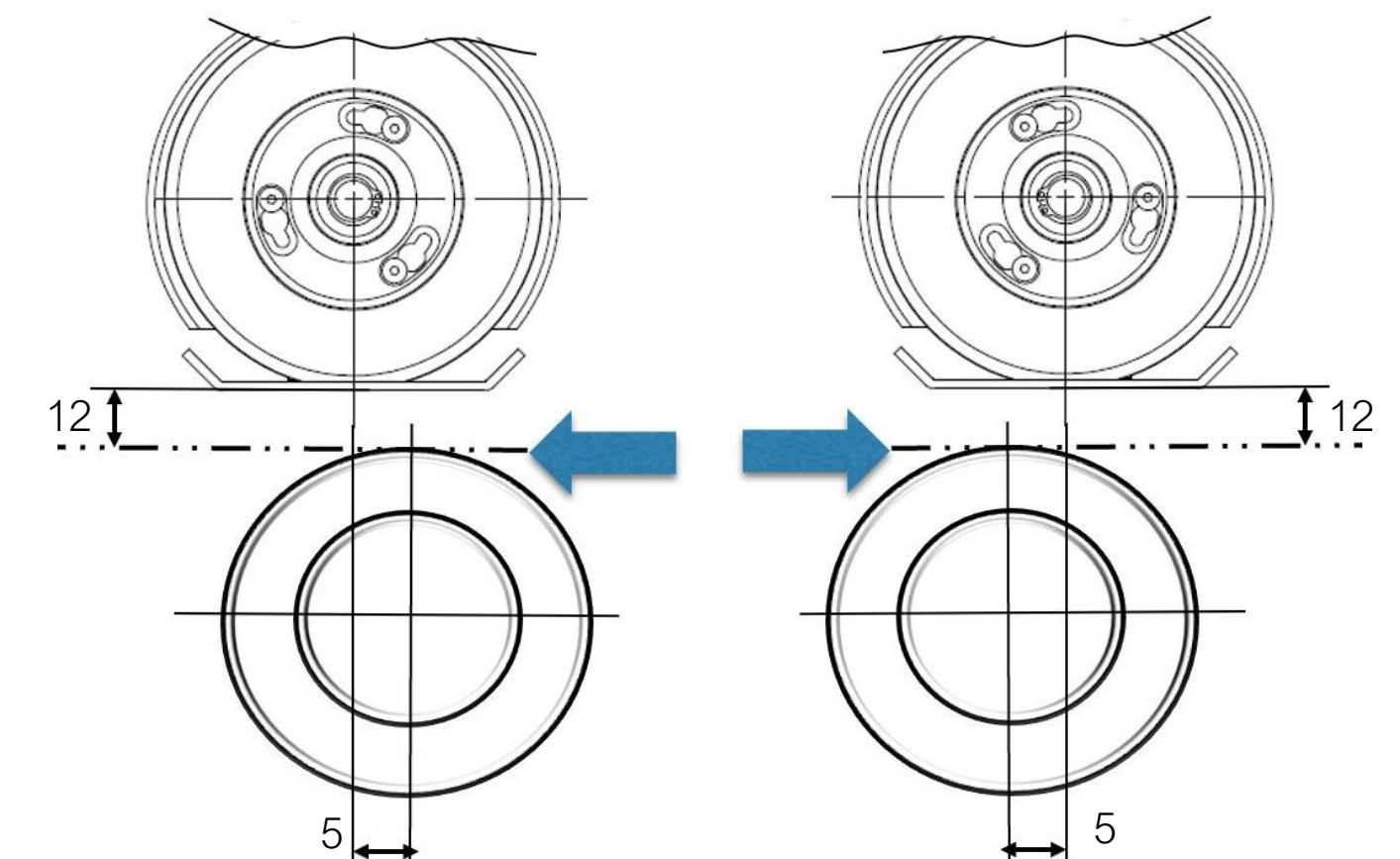
<b>Max speed</b>	1000m/min***
<b>Min. slit</b>	40mm
<b>Blade stroke, max</b>	25mm
Paper	Up to 300gr/m <sup>2</sup>
Laminate	Up to 300gr/m <sup>2</sup>
Plastic, Film/Sheet	from 25μ to 600μ
Nonwoven	Up to 400gr/m <sup>2</sup>
Textile	Ask
Aluminium	Up to 200μ
Rubber	Ask
Fibreglass	Up to 300gr/m <sup>2</sup>



Knifeholder type	Ø D	P	S
J2 40C	90÷105÷120	40	2

*For any information specific to your application please contact us*

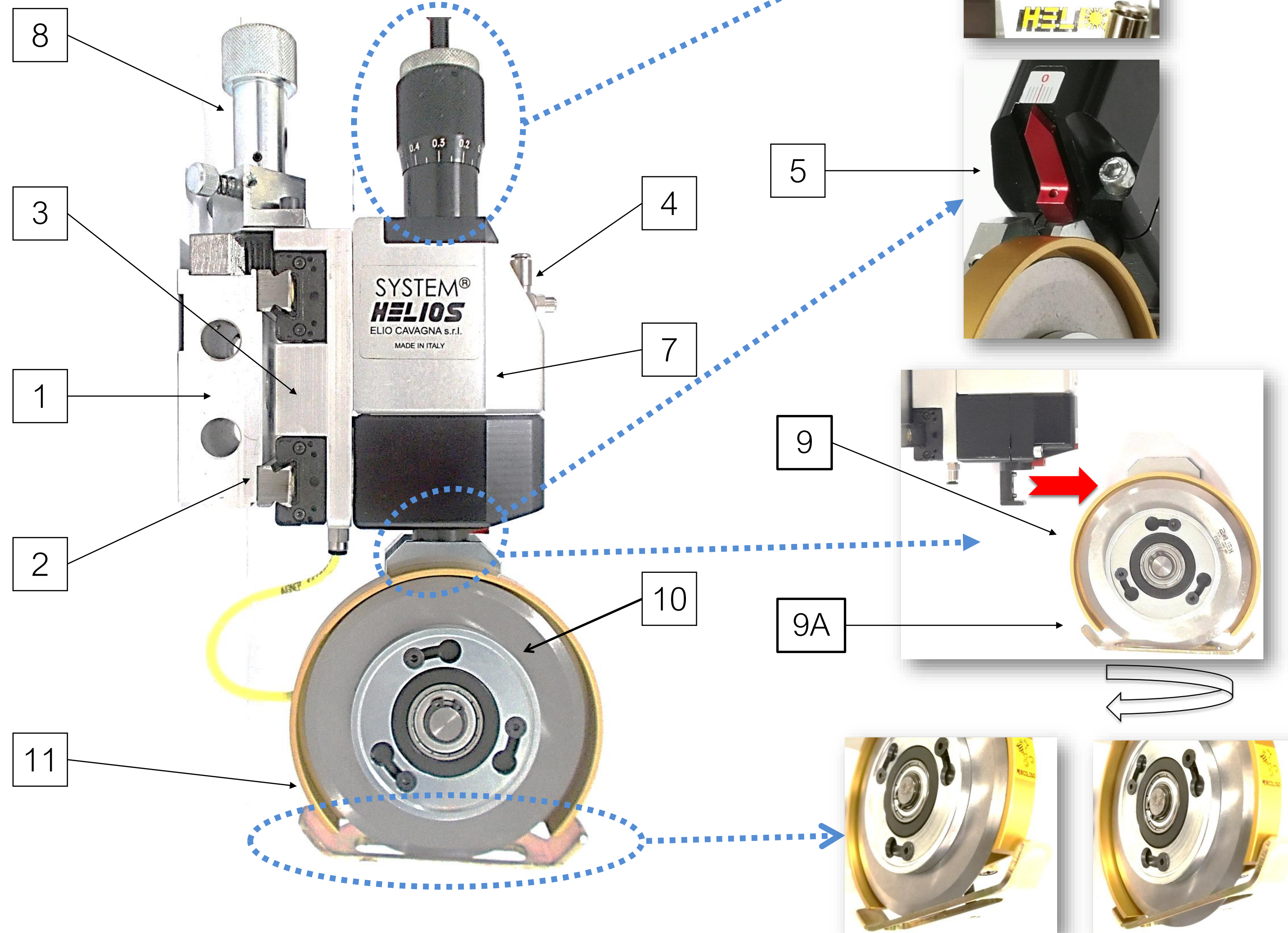
**Indicative values, for alternative materials ask for our evaluation**



\*\*\* depends on counterblade diameter



# J2-40C pneumatic knifeholders



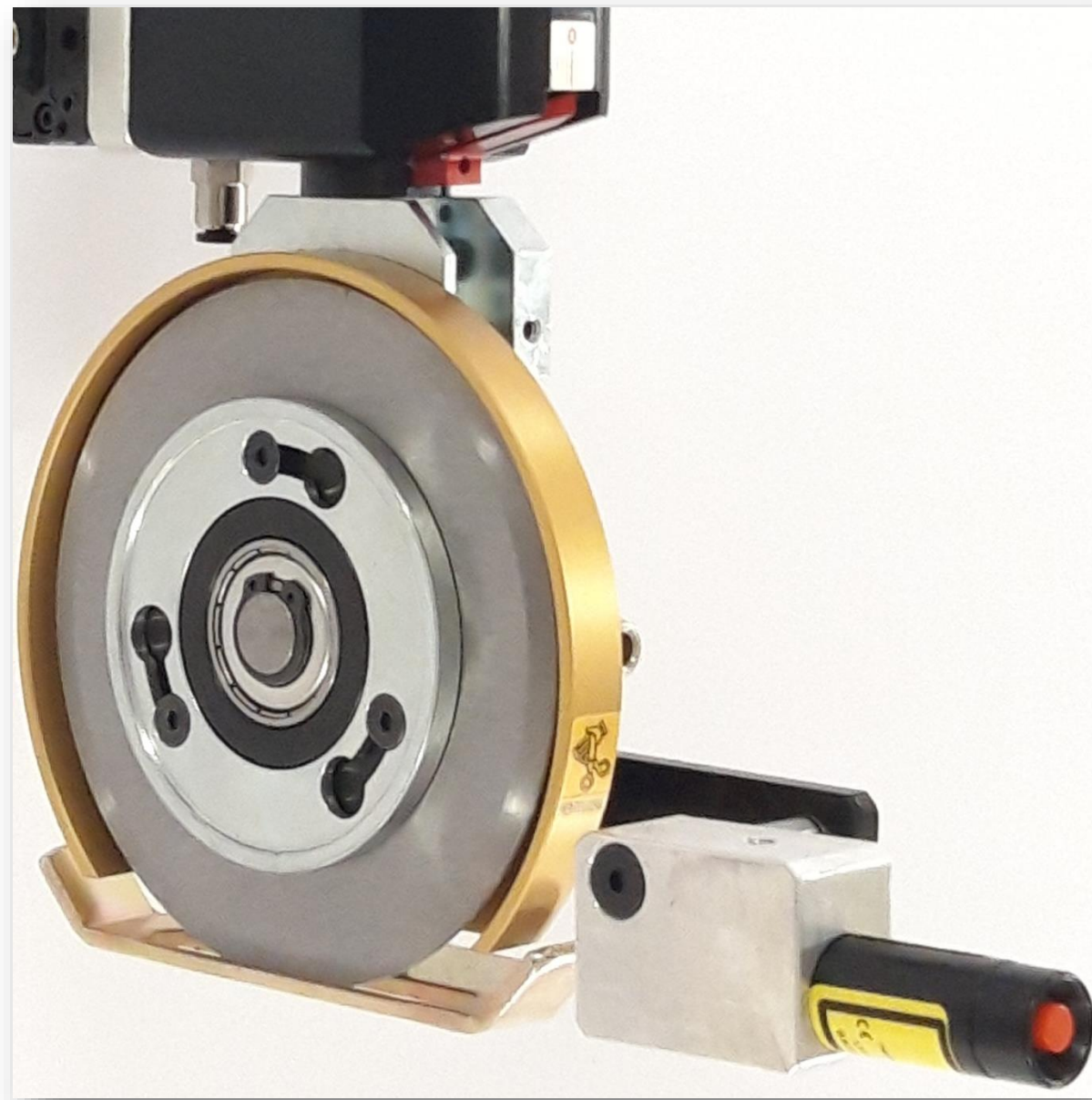
## MAIN FEATURES

1. Double rail guide
2. Double linear bearing
3. Pneumatic brake
4. Blade descent and side stroke with single alimentation
5. Blade cutting angle adjusting from 0 to 2°
6. Blade depth regulation, with nonius
7. Body with double piston for blade descent
8. Knob with pinion for movement
9. Frontal head extraction
  - 9 A. 180° head rotation
10. Bayonet blade assembling
11. 360° automatic blade protection



OPTIONAL LIST

LASER TO CHECK BLADE  
POSITION



PLEXIGLASS  
SIDE COVER FOR BLADE



COVER FOR DUST  
EXTRACTION



FELT FOR BLADE  
LUBRICATION



INTERCHANGEABILITY  
WITH RAZOR BLADE

