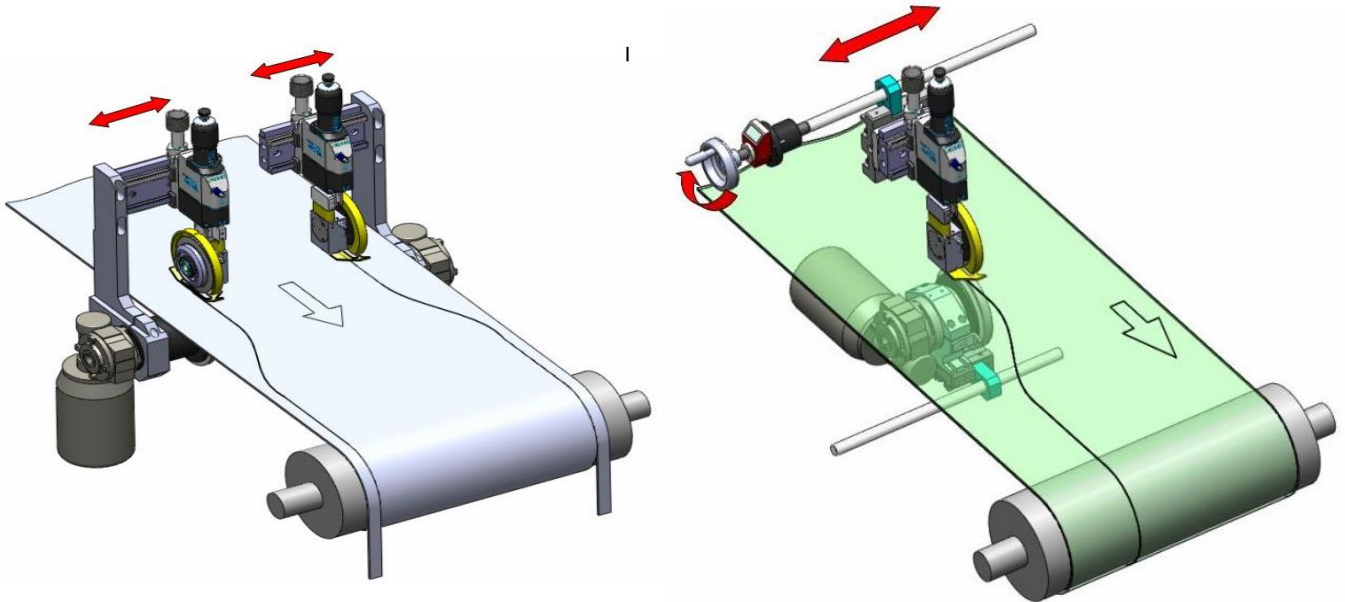


Side Trim type "STJ"

Positioning and setting without stopping production



Perfect solution for extruders or plant where stopping cut, for settings, becomes a problem

YOU can **save your time**

save your production

save your money

work safely

With this solution production increase, thanks to:

- Movement and setting **without material stop**
- Movement **without stop the cut**
- Movement **without trim stop**
- Movement **without taking material off the line**

Moreover, the operator can always work safely and without wasting time.

To this system it is possible to add many optional, such as:

- Handwheels to move the cuts from machine side
- Display to visualize the position of the blades
- Automatic positioning

