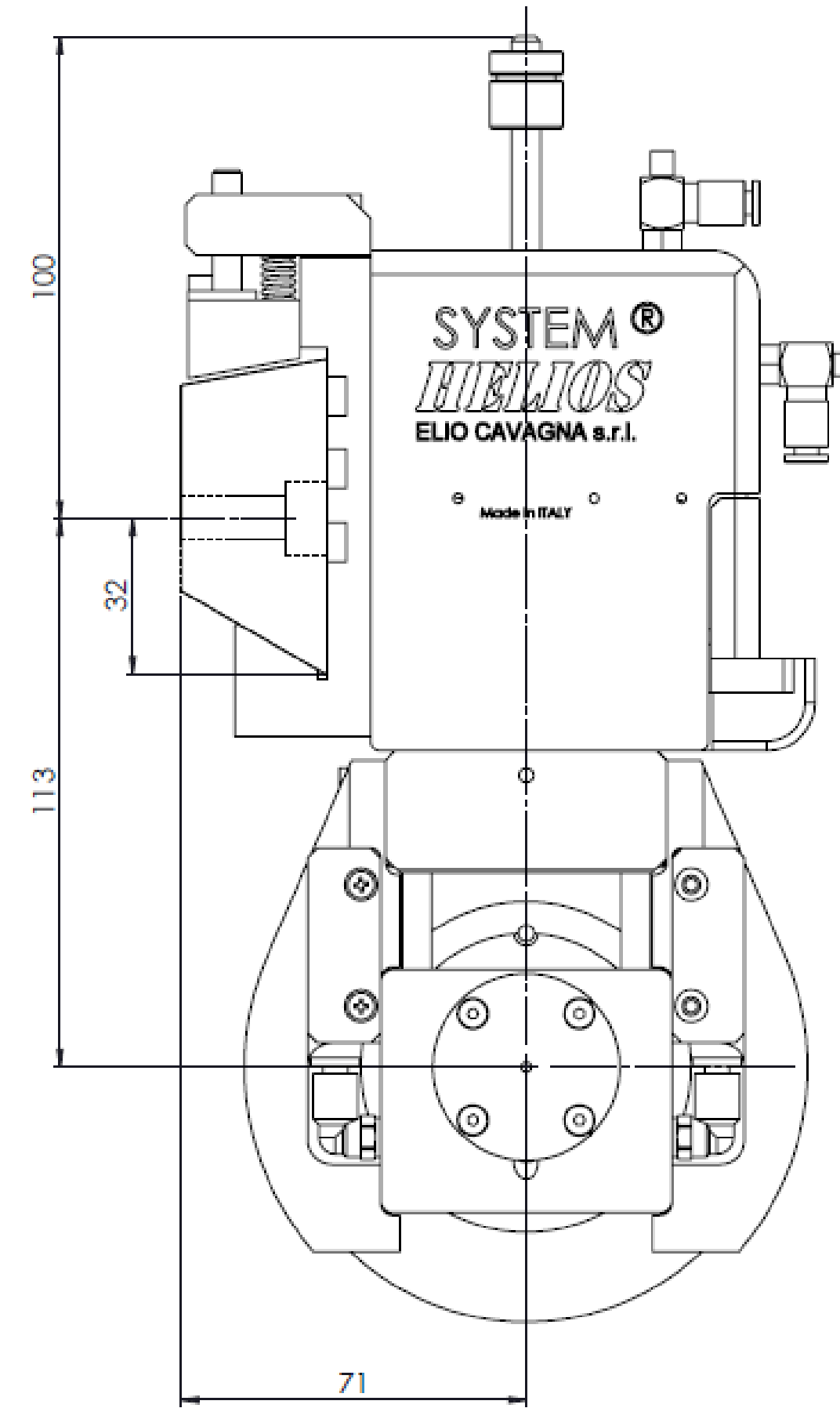
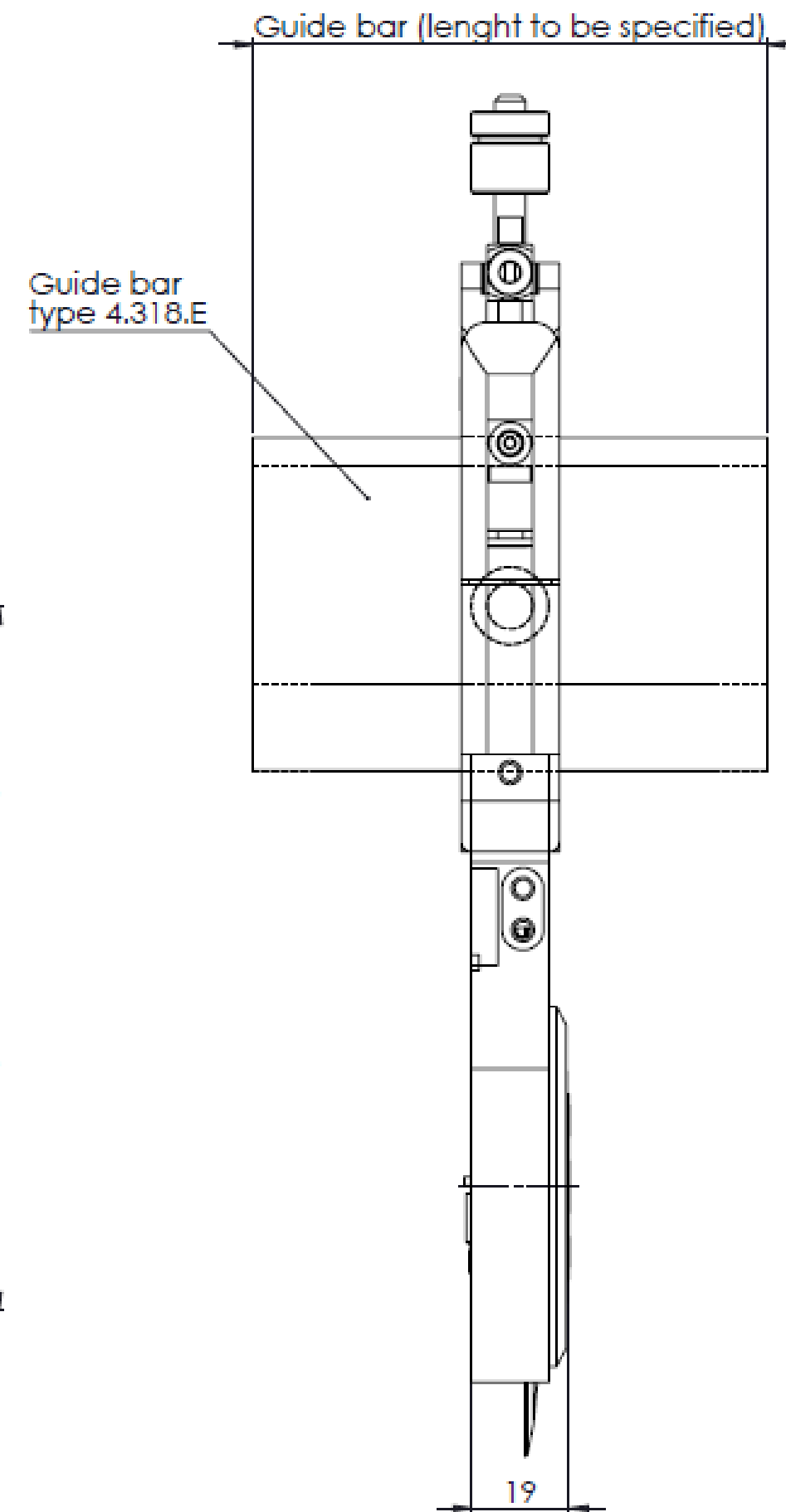
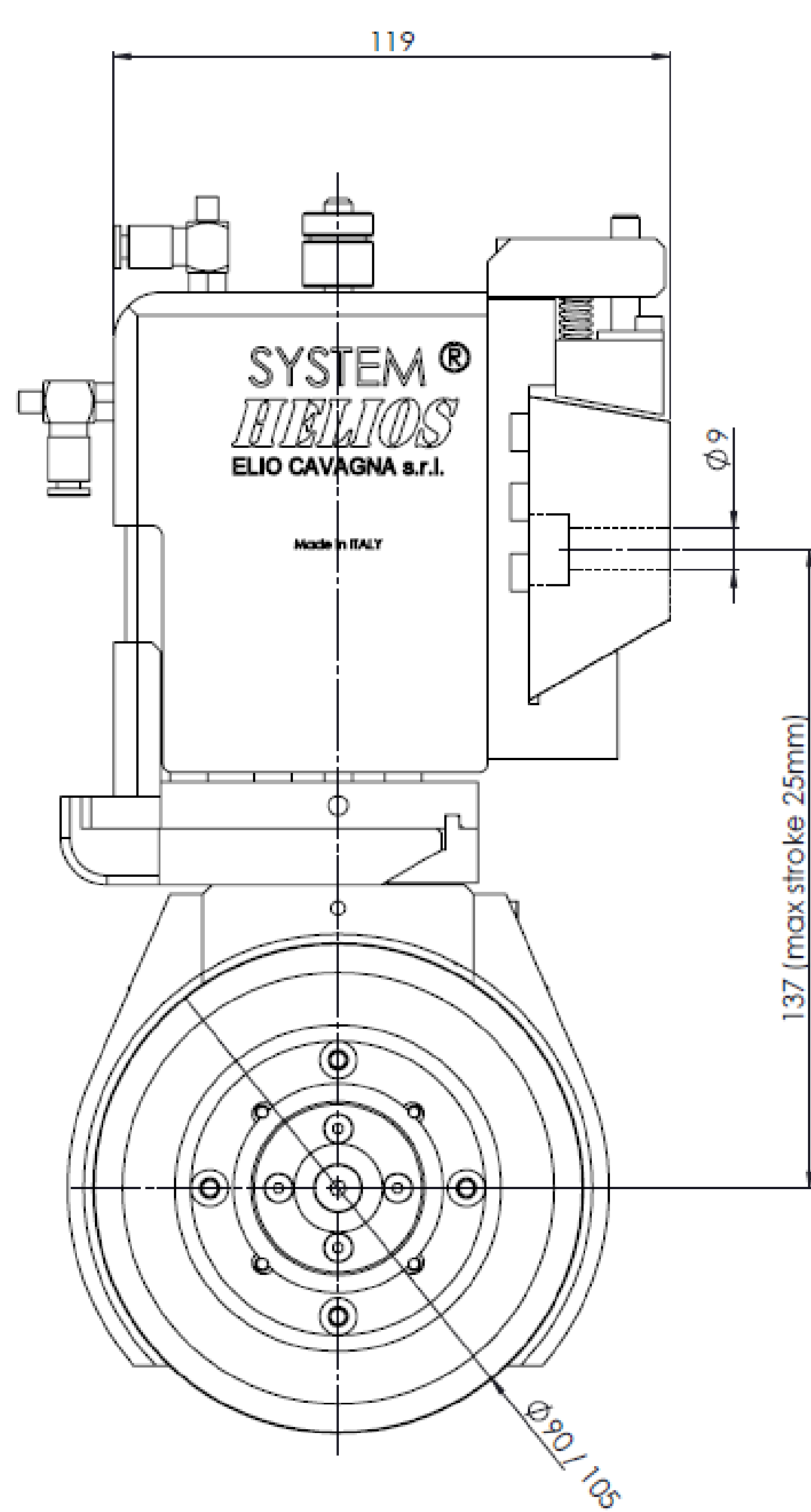




J1.3PCS-V19X pneumatic knifeholders

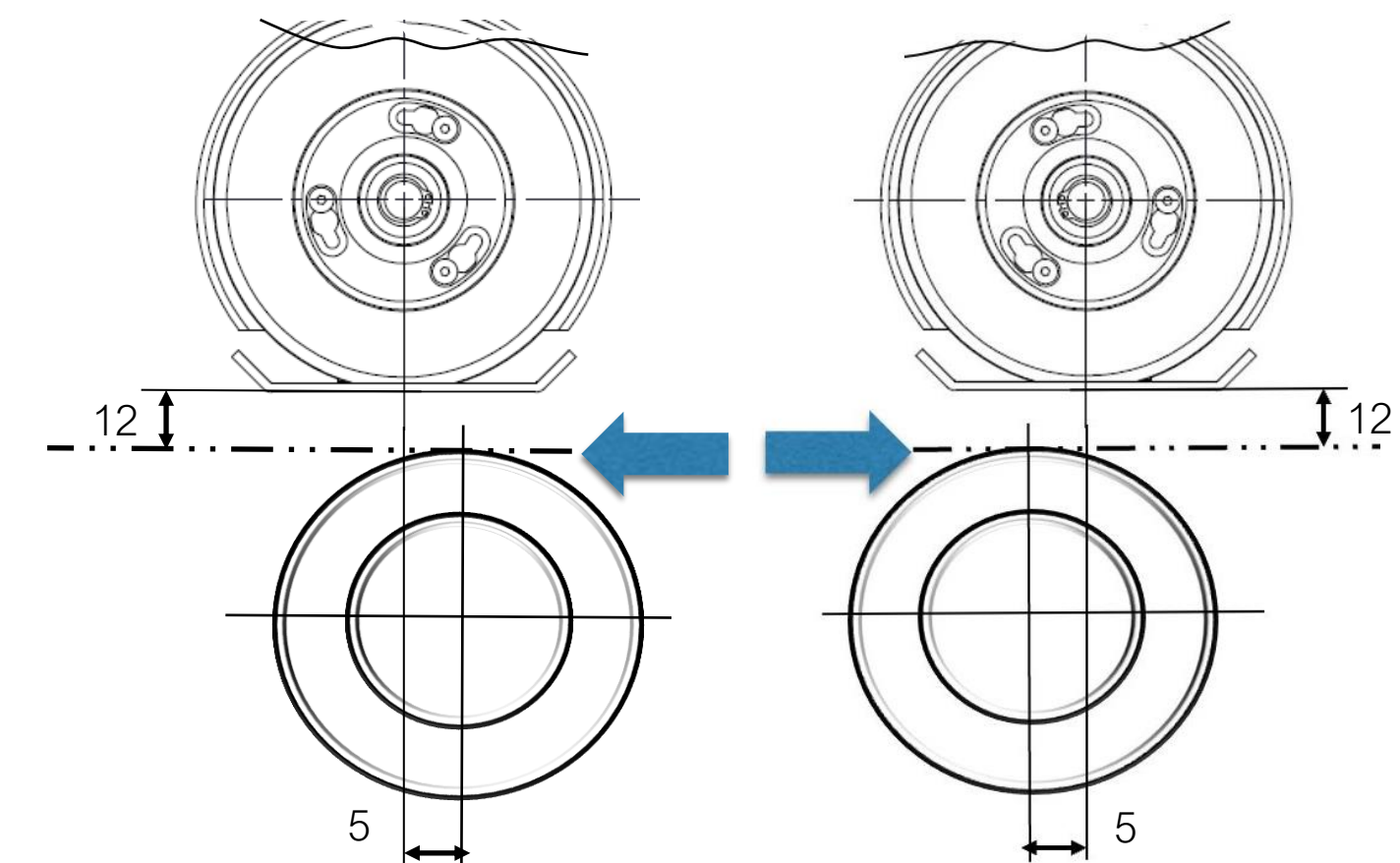
For paper, film, plastic, textile, laminates, fibreglass, nonwoven, rubber, aluminum, etc....



For any information specific to your application please contact us

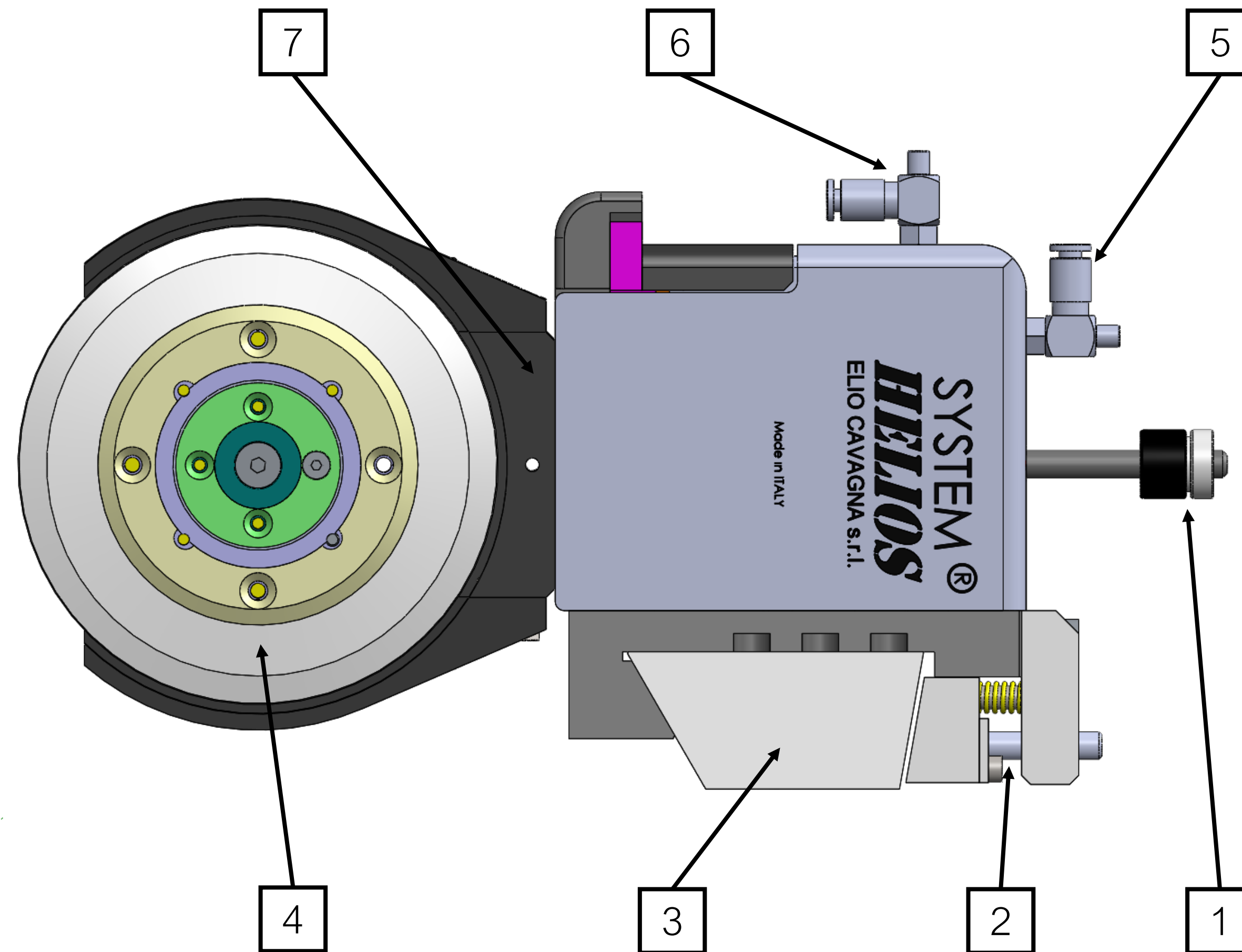
Max speed	1000 m/min***
Min. slit	20 mm
Blade stroke, max	25 mm
Paper	Up to 250 gr/m ²
Laminate	Up to 250 gr/m ²
Plastic, Film/Sheet	from 25µ to 600µ
Nonwoven	Up to 300 gr/m ²
Textile	Ask
Aluminium	Up to 200µ
Rubber	Ask
Fiberglass	Up to 200 gr/m ²

Indicative values, for alternative materials ask for our evaluation





J1.3PCS-V19X pneumatic knifeholders



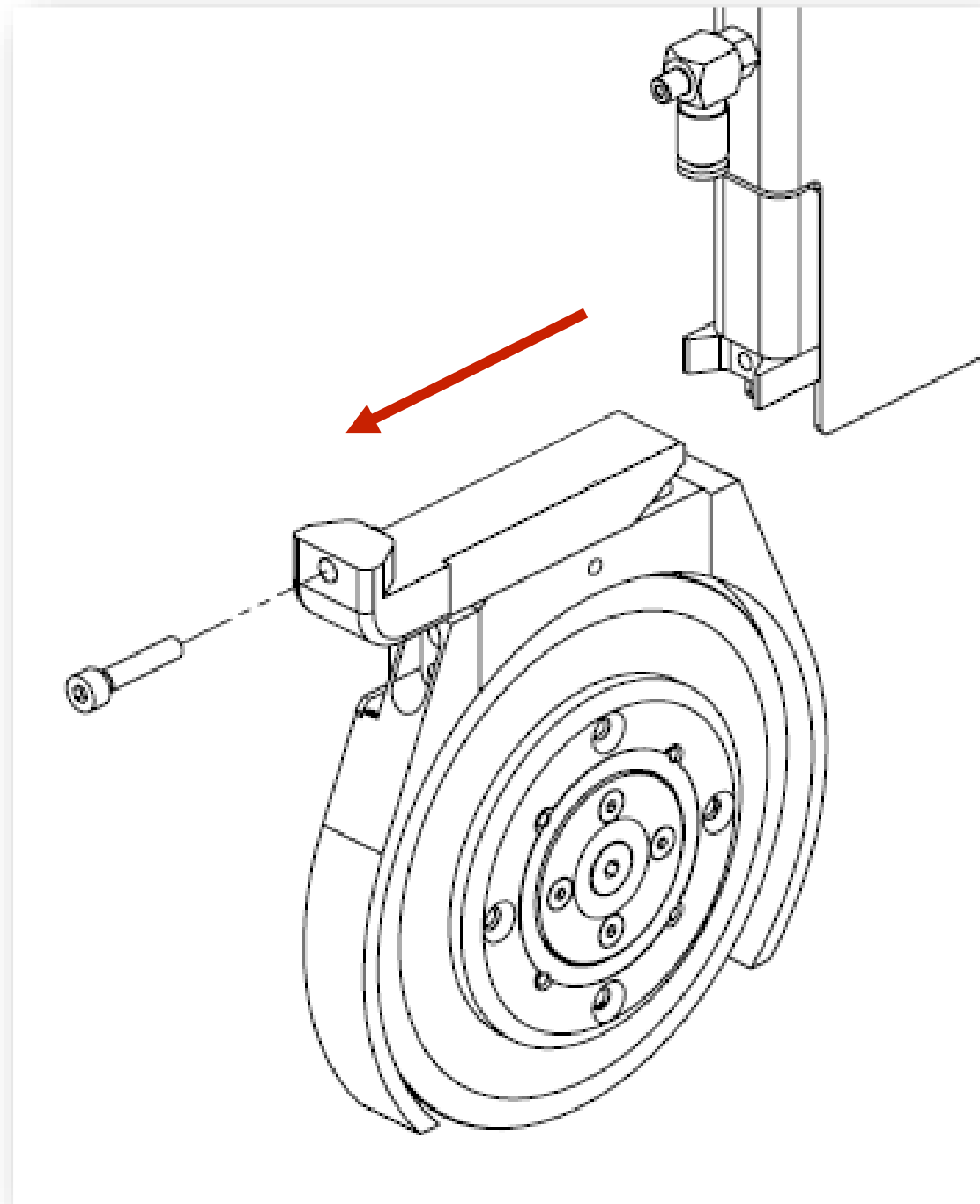
MAIN FEATURES

1. Blade depth regulation, without nonius
2. Fixing clamp
3. Guide
4. Knifeholder blade (Ø90 or Ø105)
5. Blade descent alimentation
6. Blade side stroke alimentation
7. Blade cutting angle adjusting from -1,5° to 1,5°

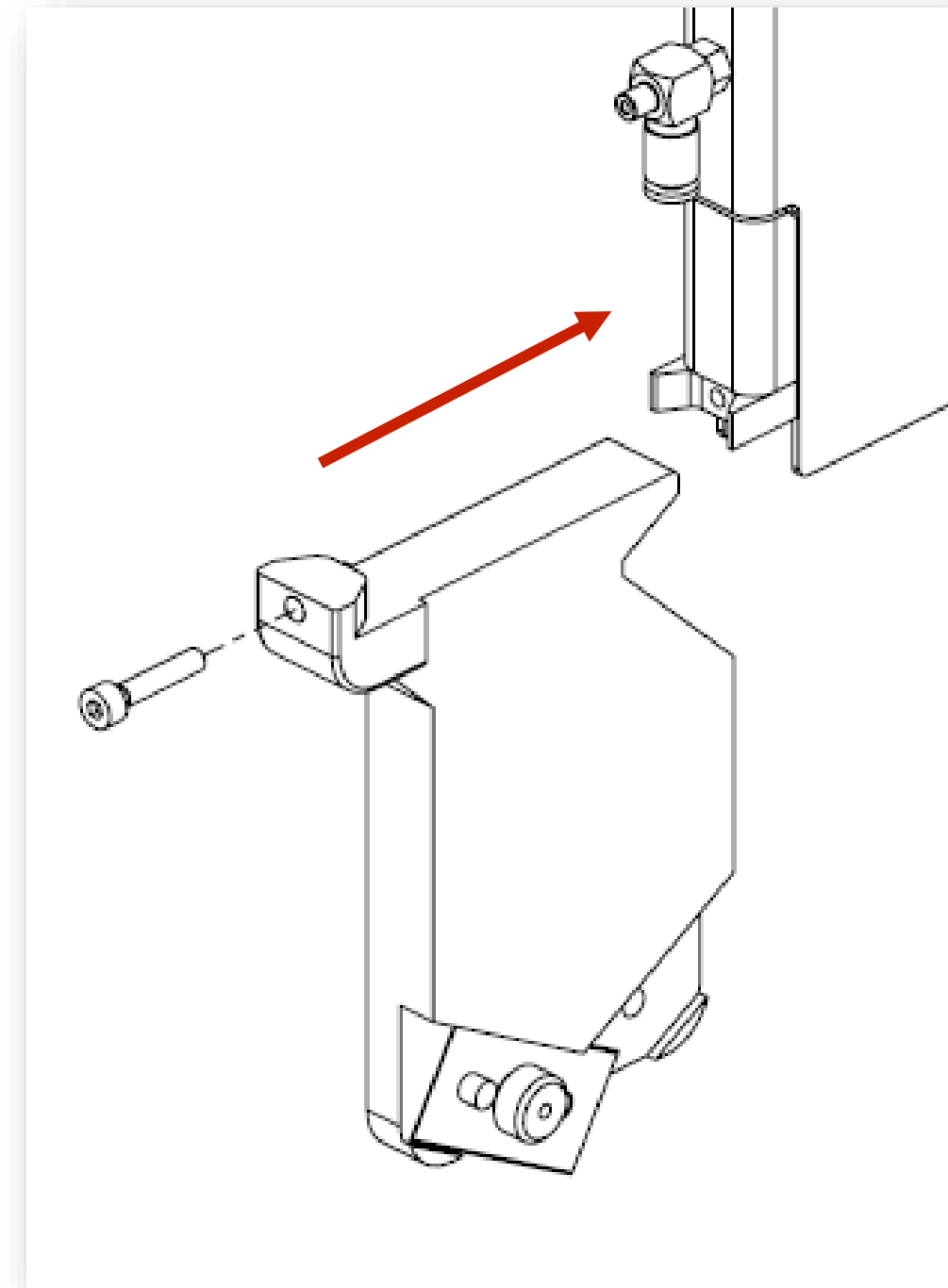


J1.3PCS-V19X pneumatic knifeholders

FRONTAL EXTRACTION
OF THE HEAD



INTERCHANGEABILITY
WITH RAZOR BLADE



FELT FOR BLADE
LUBRIFICATION

