



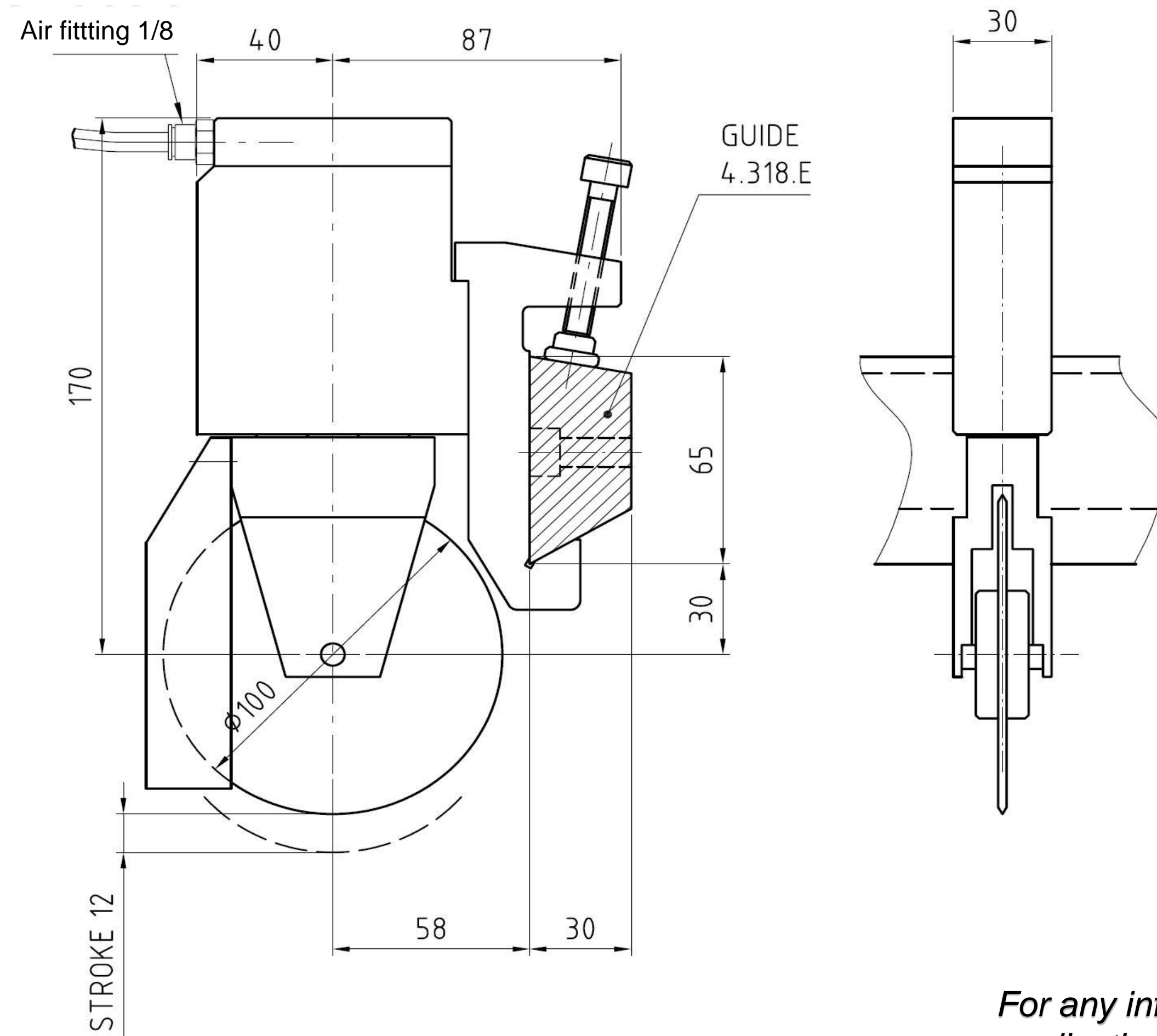
EK-30 Crush cutting knifeholders

For paper, textile, fibreglass,
nonwoven, rubber

Paper	Up to 500gr/m ²
Plastic, Film	No
Nonwoven	500gr/m ²
Max speed	400m/min
Min. slit	30mm
Blade stroke, max	12mm
Pressure at 6Bar	20Kg

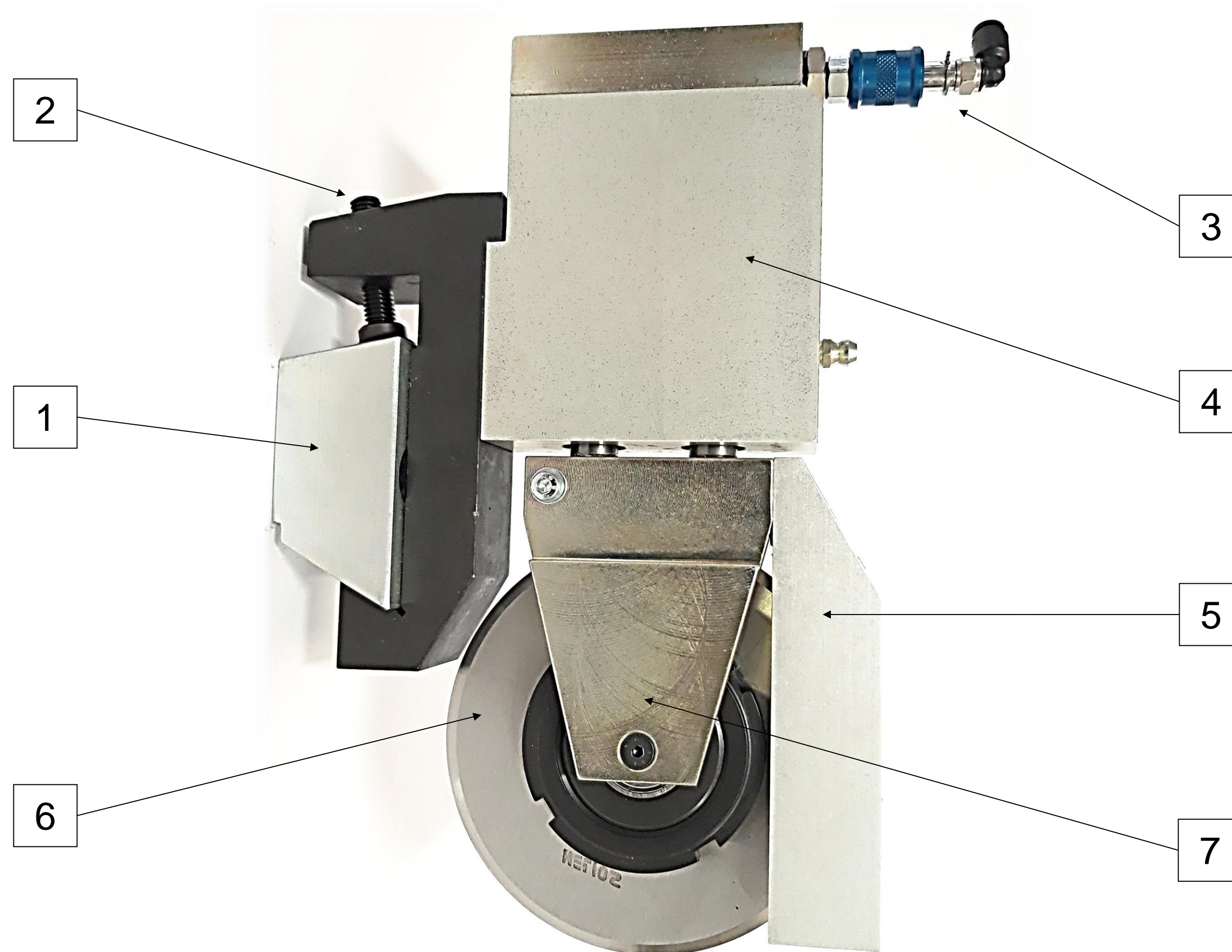
**Indicative values, for alternative materials
ask for our evaluation**

**Usually, to have more benefits, blade
longer life and higher cut quality,
we suggest to install a shear cut solution**



*For any information specific to your
application please contact us*

EK-30 Crush cutting knifeholders



MAIN FEATURES

1. Guide
2. Screw to lock holder on guide
3. Air intake for blade descent
4. Body with double piston for blade descent
5. Frontal blade cover
6. Knife-holder blade
7. Knife-holder head with double bearing