



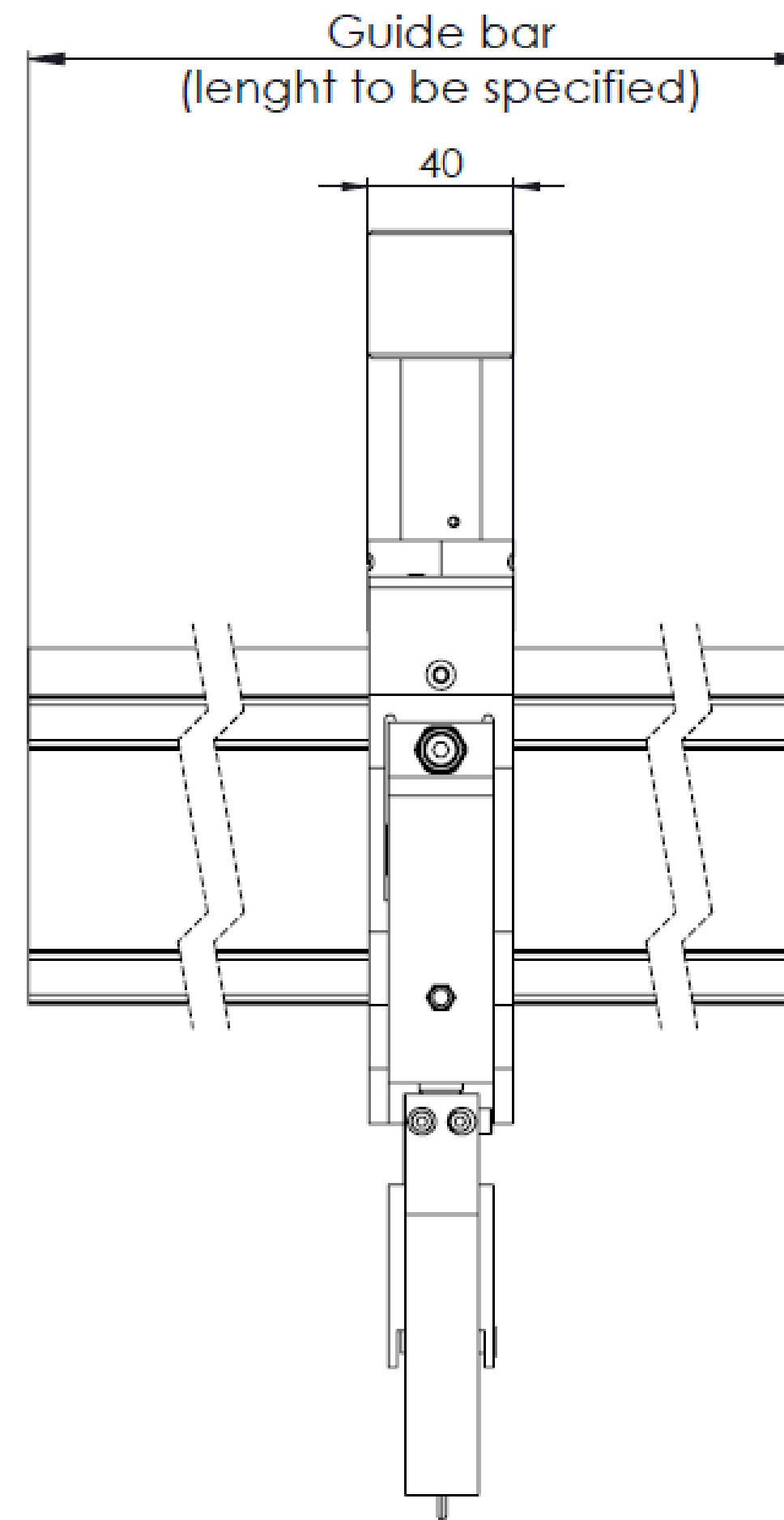
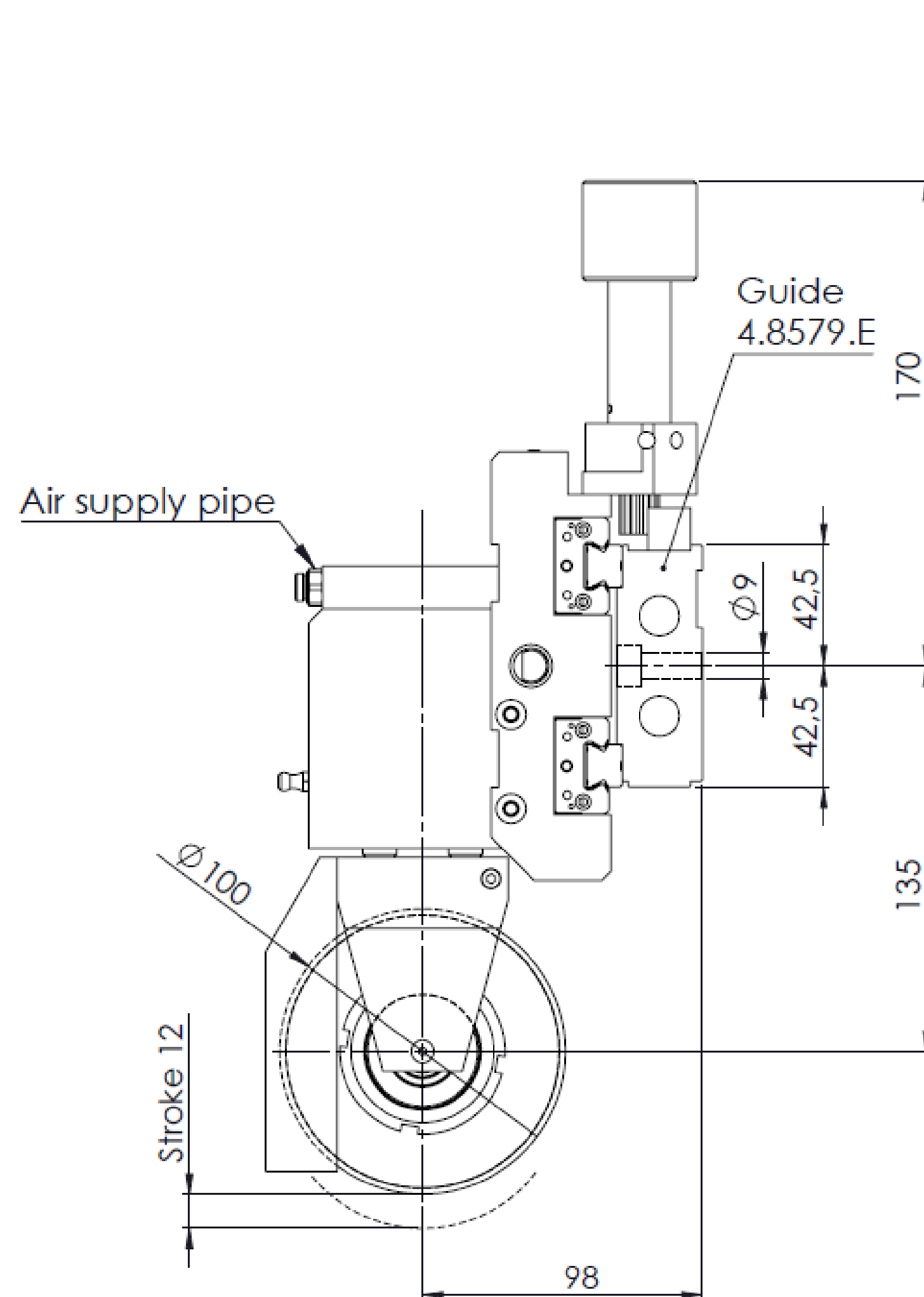
EKJ-30 Crush cutting knifeholders

For paper, textile, fibreglass, nonwoven, rubber

Paper	Up to 500gr/m ²
Plastic, Film	No
Nonwoven	500gr/m ²
Max speed	400m/min
Min. slit	30mm
Blade stroke, max	12mm
Pressure at 6Bar	20Kg

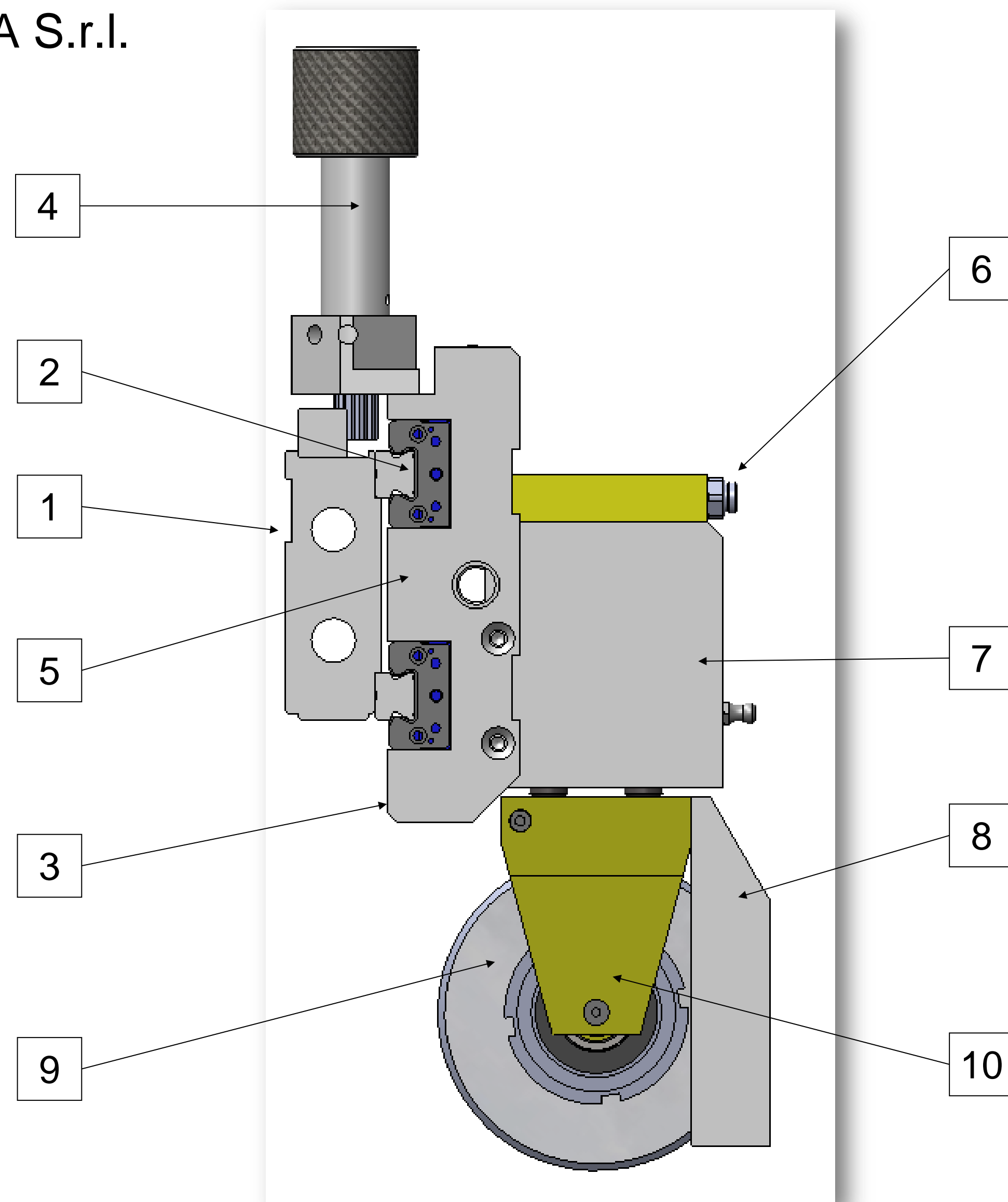
Indicative values, for alternative materials ask for our evaluation

Usually, to have more benefits, blade longer life and higher cut quality, we suggest to install a shear cut solution



For any information specific to your application please contact us

EKJ-30 Crush cutting knifeholders



MAIN FEATURES

1. Double rail guide
2. Double linear bearing
3. Carriage for knifeholder movement
4. Knob with pinion for movement
5. Pneumatic brake
6. Air intake for blade descent
7. Body with double piston for blade descent
8. Frontal blade cover
9. Knife-holder blade
10. Knife-holder head with double bearing