



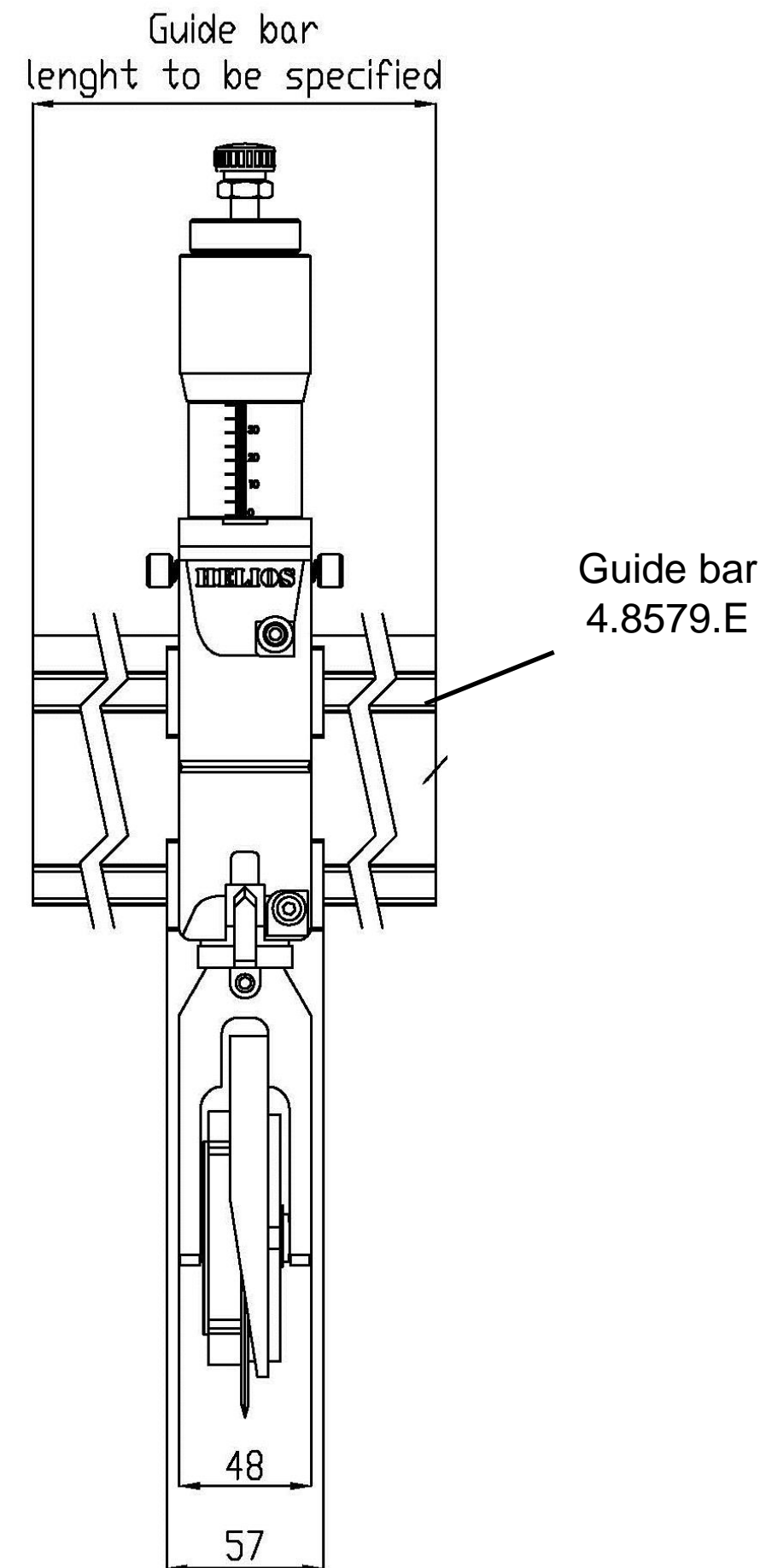
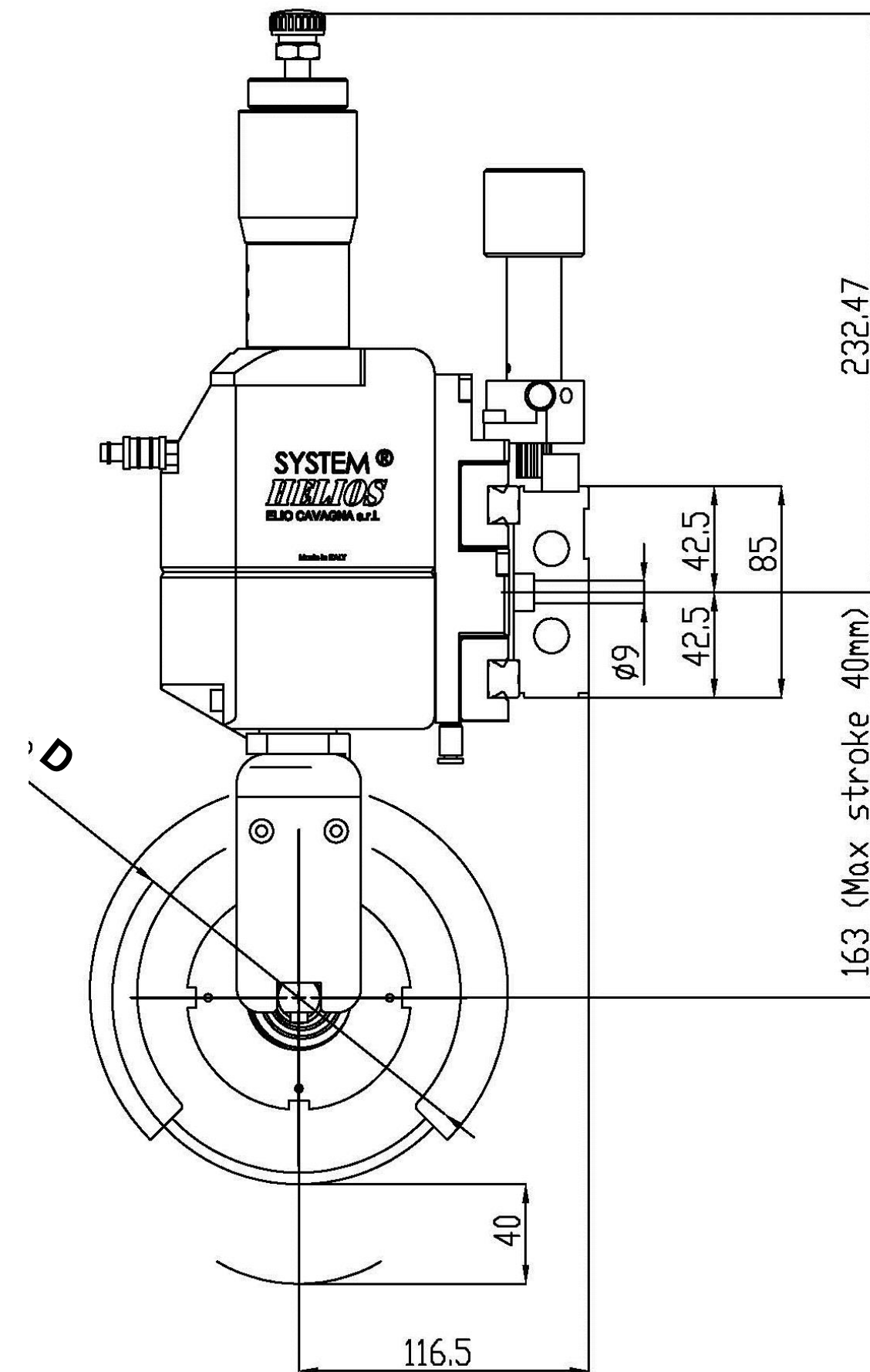
## J3H-TP48 pneumatic knifeholders

For paper, textile, fibreglass, nonwoven, rubber

|                   |                            |
|-------------------|----------------------------|
| Paper             | Up to 600gr/m <sup>2</sup> |
| Plastic, Film     | No                         |
| Non woven         | 500gr/m <sup>2</sup>       |
| Max speed         | 400m/min                   |
| Min. slit         | 60mm                       |
| Blade stroke, max | 40mm                       |
| Pressure at 6Bar  | 50Kg                       |

**Indicative values, for alternative materials  
 ask for our evaluation**

**Usually, to have more benefits, blade longer  
 life and higher cut quality, we suggest to ins  
 tall a shear cut solution**



| Knifeholder type | Ø D     |
|------------------|---------|
| J3H-TP48         | 130÷150 |

*For any information specific to your  
 application please contact us*