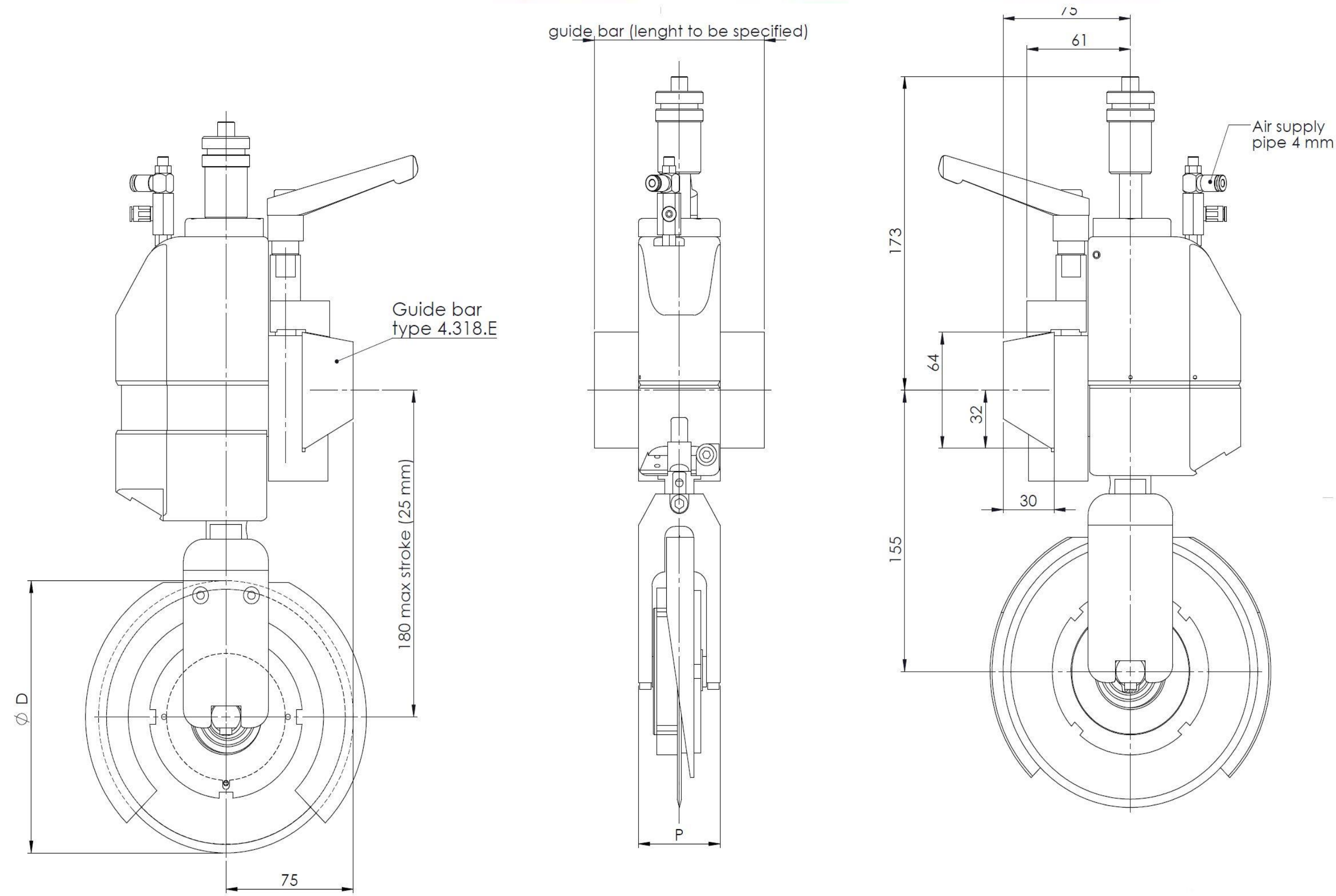




# JCS3-TP48

## Crush cutting knifeholders



Max speed	500m/min***
Min. slit	50mm
Blade stroke, max	25mm
Vertical force	80Kg
Guide bar	4.318.E

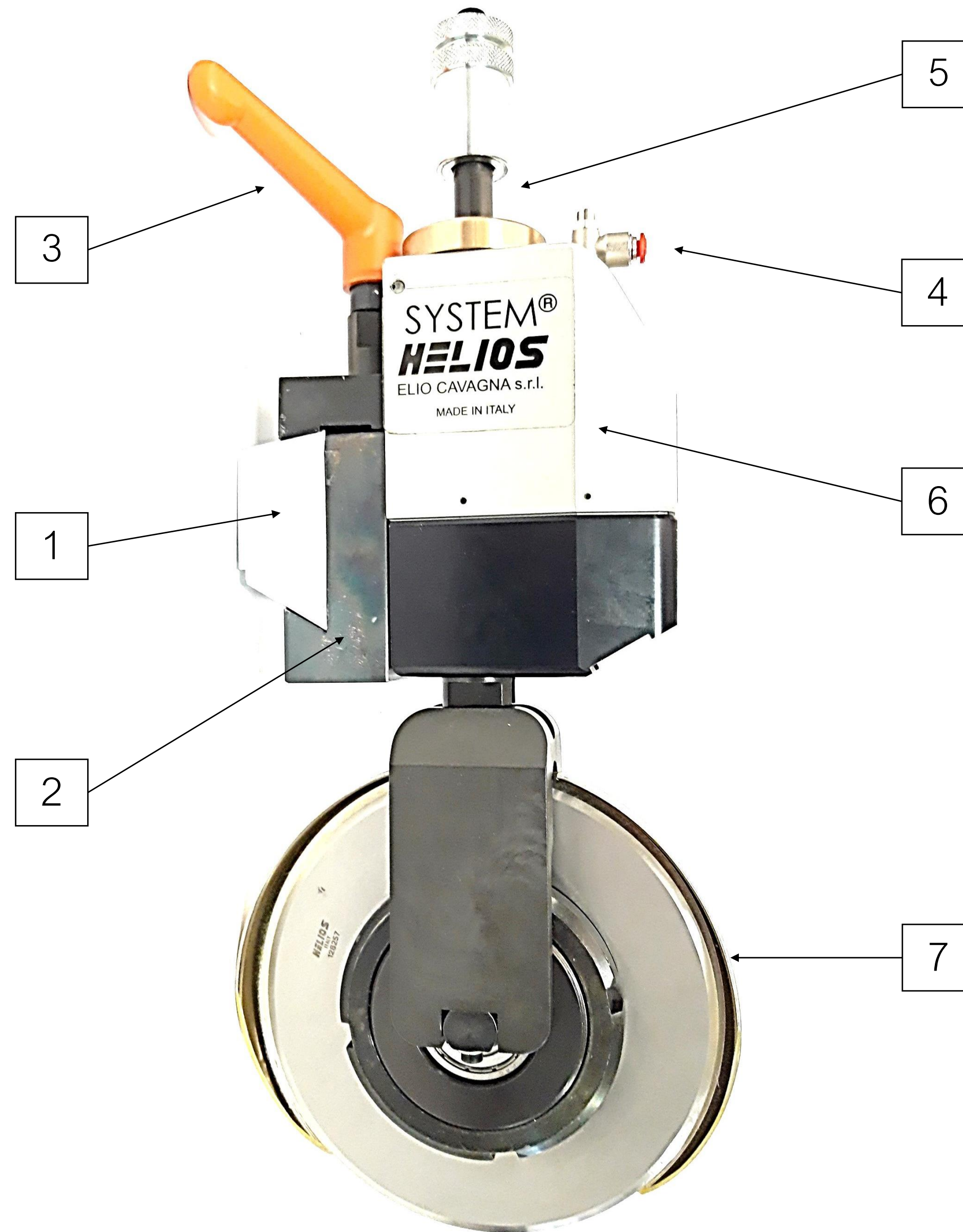
Not suggested for paper and film/plastic

Usually, to have more benefits, blade longer life and higher cut quality, we suggest to install a shear cut solution

*For any information specific to your application please contact us*

Knifeholder type	∅ D	P
JCS3 TP48C	130÷150	48

\*\*\* depend on cylinder diameter



## JCS3-TP48 Crush cutting knifeholders

### MAIN FEATURES

1. Guide
2. Guide clamp
3. Handle for guide lock
4. Air intake for blade descent
5. Blade depth regulation, without nonius
6. Body with double piston for blade descent
7. Blade cover